

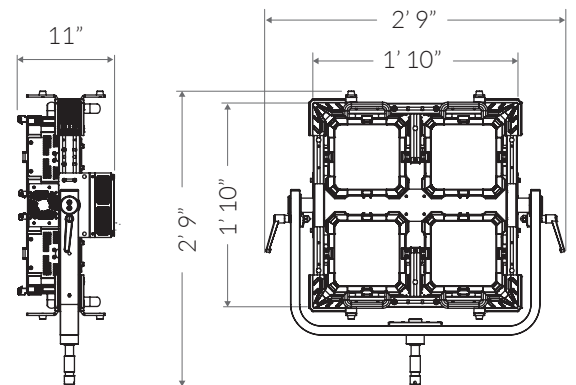
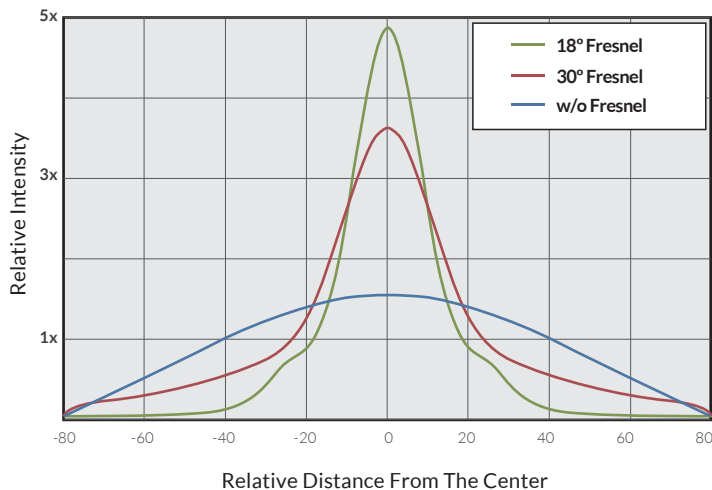
The **QUAD COLOR** is a super-bright punch light that emits 1360W of LED illumination. Powerful yet compact, the QUAD COLOR combines four Matrix fixtures in one ruggedized frame weighing a total of 75lbs (34kg) and standing less than one meter high. This streamlined fixture includes an integrated power supply, cabling, and controls (in addition to XLR-5 DMX in/out) for easy rigging and settings adjustment. With this comprehensive design, the QUAD COLOR excels in any production setting, whether it's set on a floor stand or suspended from a studio lighting grid.



FEATURES

- ~5000W tungsten output (1360W draw)
- High-CRI white light output (2000-10000K)
- 8 and 16-bit color modes: CCTRGBW, CCTHSI, CIExy, etc.
- Optional lensing accessories for increased light intensity
- Integrated cable management & power supply
- Smooth and Sharp dimming modes
- DMX-controllable fan modes: Full, Variable, Silent, Off
- IP-X5 Rating (water resistant)

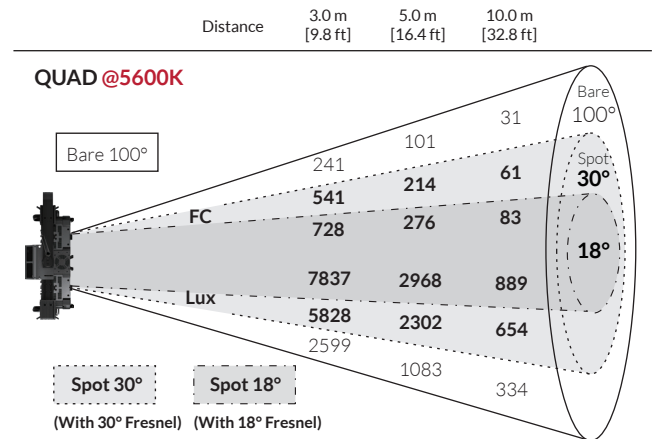
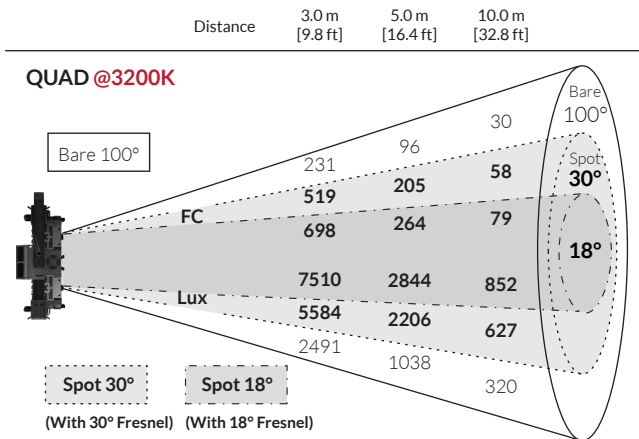
BEAM PROFILE



SPECIFICATIONS

| | |
|-----------------------|--|
| Beam Angle | 100° (30° or 18° with fresnel accessories) |
| CCT Range | 2000-10000K continuous tuning + magenta/green shift |
| CRI / TLCI | 95 / 90 typical |
| Control Modes | CCT, HSI, RGBW, GEL, CCTRGBW, CCTHSI, CIExy, ICTHS, and more |
| Dimming | 100 - 0% flicker free |
| Dimming Modes | Smooth, Sharp |
| Light Engine | DiCon Dense Matrix LED |
| Power Consumption | 1360W max AC |
| BTUs/hour | 4436 (BTUs/hour) max |
| AC Input | 100 - 240V AC, 50~60Hz (via powerCON TRUE1) |
| DMX/RDM Interface | XLR-5 & attached Fiilex DMX controller |
| Wireless Control | Integrated LumenRadio CRMX TimoTwo |
| Ethernet | sACN, ArtNet (via RJ45) |
| USB Power Output | 5V/1A (via USB-A) |
| Weight | 75lbs / 34kg |
| Size (L x W x H) | 2' 9" x 11" x 2' 9" / 84cm x 27cm x 82cm |
| Mount Type | Junior stud 1-1/8" male (28mm) |
| IP Rating | IP-X5 (water-resistant) |
| Thermal Design | Advanced cooling system (fan cooled) |
| Operating Temperature | 32 - 104°F / 0 - 40°C |

PHOTOMETRIC DATA



OPTIONAL ACCESSORIES



RPU
FLXRPUR



Matrix Fresnel Lens, 30°
FLXMXCLR-FRNL30



Matrix Fresnel Lens, 18°
FLXMXCLR-FRNL18